

- Special range for outdoor use
- Quick release bayonet bowl
- Full flow gauge ports
- Balanced valve design minimizes effect of variation in the inlet pressure on the outlet pressure
- 5µm filtration for instrumentation



### Technical Data

Fluid: Compressed air

Maximum pressure:

Metal bowl: 17 bar (250 psig)

Operating temperature\*:

Ambient: -40°C to +85°C

\* Air supply must be dry enough to avoid ice formation at temperatures below +2°C (+35°F).

Particle removal: 5µm filter element

Declaration of Conformity:  

Typical flow with 10 bar (150 psig) inlet pressure, 6.3 bar (90 psig) set pressure and a droop of 1 bar (15 psig) from set:

B72: 38 dm<sup>3</sup>/s (Kv 2.0)

B74: 100 dm<sup>3</sup>/s (Kv 5.3)

B68: 240 dm<sup>3</sup>/s (Kv 12.7)

Manual drain

Gauge ports:

1/8 PTF with PTF main ports

Materials:

Body: Aluminum

Bonnet: Aluminum

Bowl: Aluminum

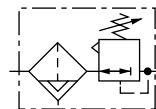
Element: Sintered plastic

Elastomers: Neoprene and Nitrile

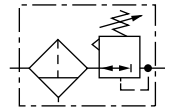
### Ordering Information

See *Ordering Information* on the following pages.

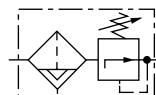
### ISO Symbols



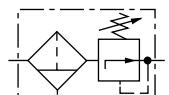
Automatic Drain, Relieving



Manual Drain, Relieving

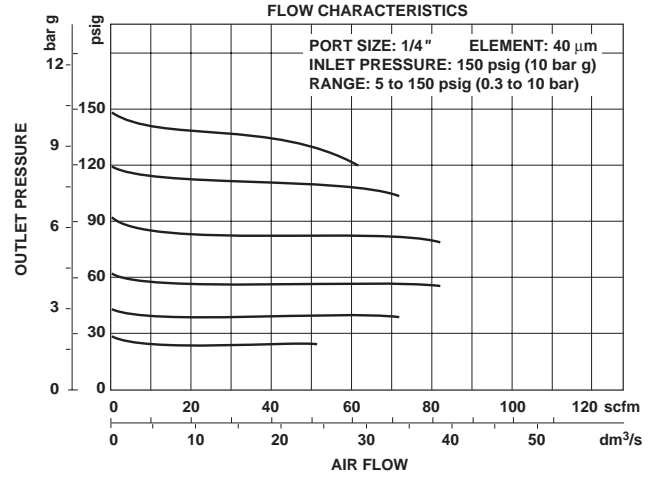
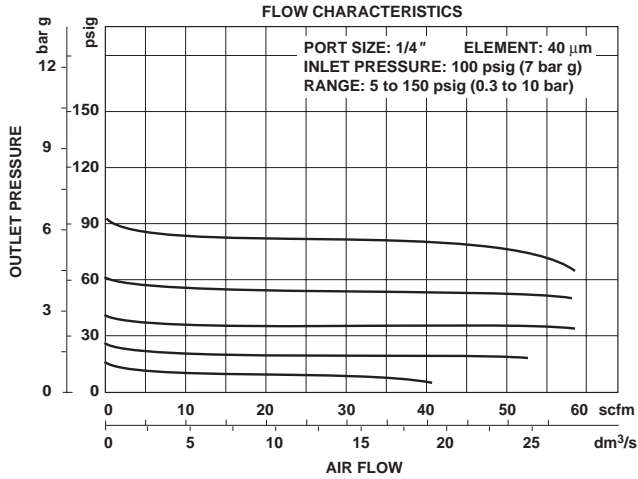


Automatic Drain, Non Relieving

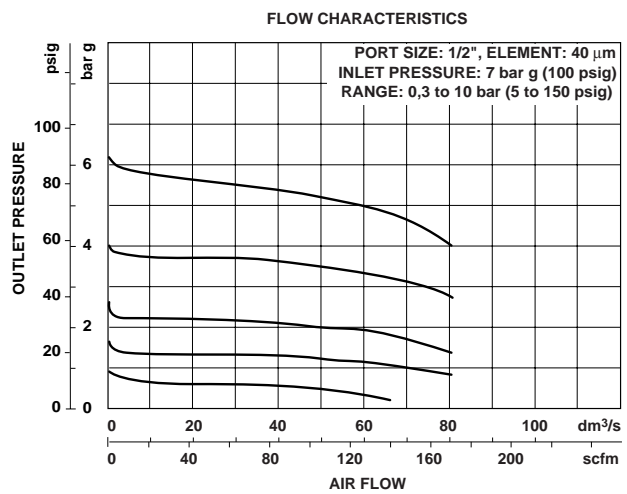
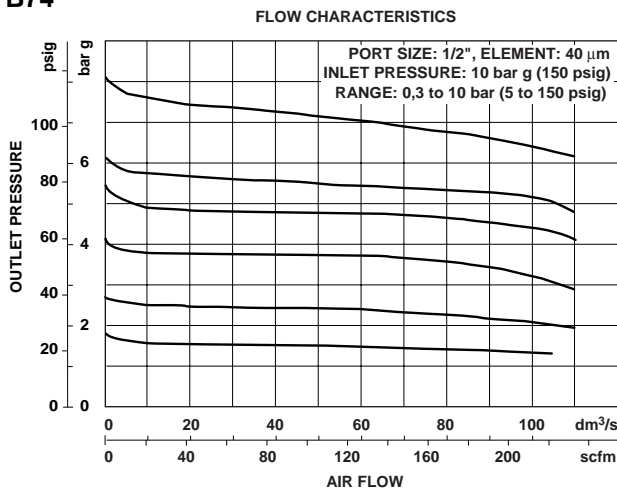


Manual Drain, Non Relieving

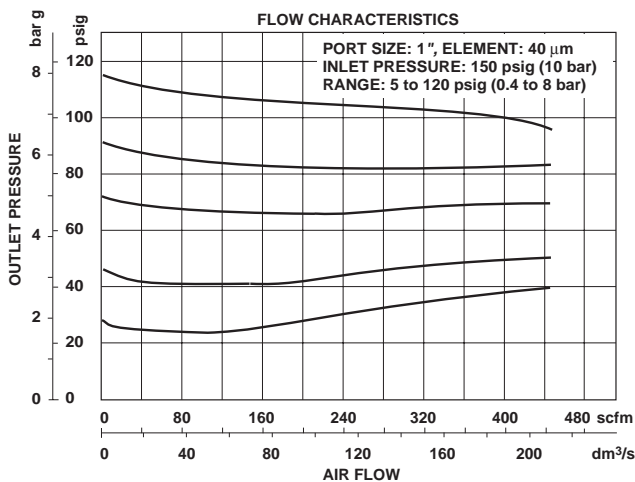
Typical Performance Characteristics  
B72



B74



B68



**Ordering Information.** Models listed include PTF threads, metal bowl with 5μm element, relieving diaphragm and 0.3 to 10 bar (5 to 150 psig) outlet pressure adjustment range\*.

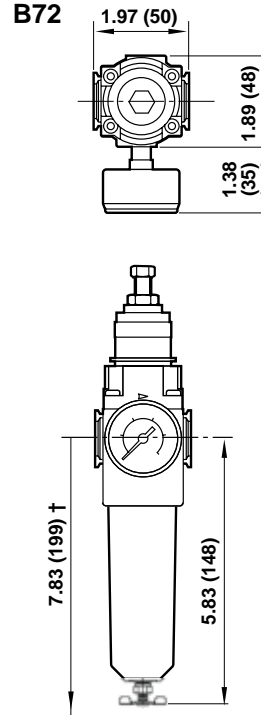
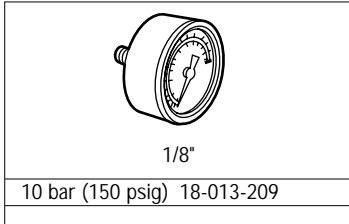
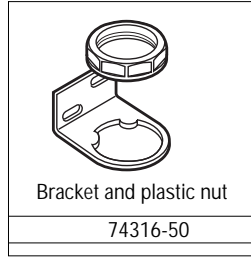
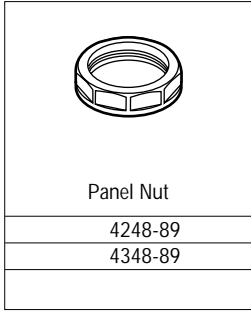
Main Port Size	Model Number	Flow† dm³/s (scfm)	Weight kg (lb)
NPT 1/4	B72G-2AS-980	38 dm³/s (Kv 2.0)	1.19 (2.62)
NPT 1/2	B74G-4AS-995**	100 dm³/s (Kv 5.3)	1.17 (2.59)
NPT 1	B68G-8AS-005**	240 dm³/s (Kv 12.7)	1.16 (2.55)

† Typical flow with 10 bar (150 psig) inlet pressure, 6,3 bar (90 psig) set pressure and a 1 bar (15 psig) droop from set.

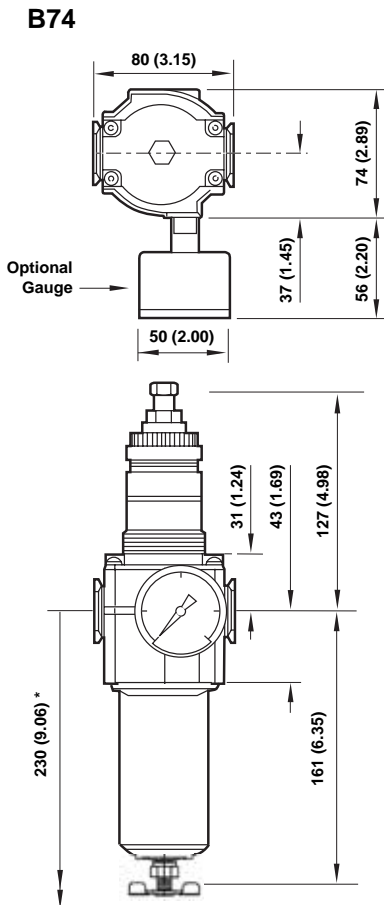
\* Outlet pressure can be adjusted to pressures in excess of, and less than, those specified. Do not use these units to control pressures outside of the specified ranges.

\*\* Bracket included.

Accessories



† Minimum clearance required to remove bowl.



† Minimum clearance required to remove bowl.



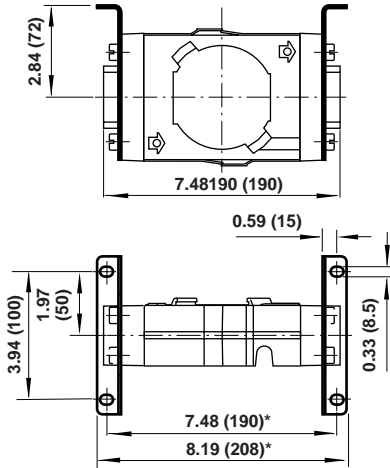
† \* Dimension also applies to closed bottom bowl.  
Minimum clearance required to remove bowl.

## Bracket Mounting

### Mounting Bracket

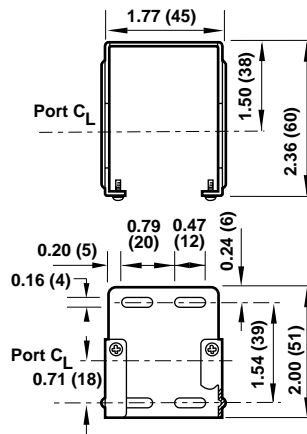
Use 5 mm (3/16") screws to mount bracket to wall.

**B68 Bracket (18-001-978)**

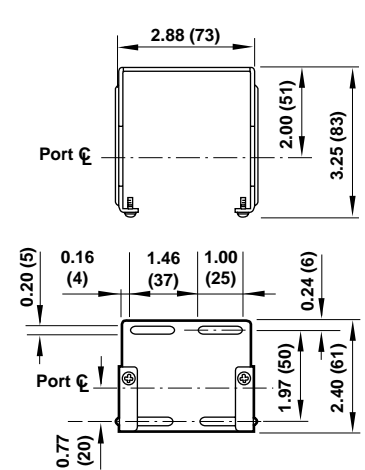


\* Add 0.39" (10) for 1-1/4" ported yokes.

**B72 Bracket (4224-02)**



**B74 Bracket (4324-50)**



## Service Kits

Item	Type	Part Number
Service kit	B72	4383-500
	B74	4383-700
	B68	4383-300
Replacement elements	5 µm	5925-03
	5 µm	4338-04
	5 µm	5576-97
Replacement drain kit	B72	2796-52
	B74	2796-52
	B68	2796-52

Service kit includes diaphragm assembly, valve assembly, valve spring, louvre o-ring, bowl o-ring, drain seal.

## Warning

These products are intended for use in industrial compressed air systems only. Do not use these products where *pressures* and *temperatures* can exceed those listed under **Technical Data**.

Before using these products with fluids other than those specified, for non-industrial applications, life-support systems, or other applications not within published specifications, consult Norgren.

Through misuse, age, or malfunction, components used in fluid power systems can fail in various modes. The system designer is warned to consider the failure modes of all component parts used in fluid power systems and to provide adequate safeguards to prevent personal injury or damage to equipment in the event of such failure.

**System designers must provide a warning to end users in the system instructional manual if protection against a failure mode cannot be adequately provided.**

System designers and end users are cautioned to review specific warnings found in instruction sheets packed and shipped with these products.

Water vapor will pass through these units and will condense into liquid if air temperature drops in the downstream system. Install an air dryer if water condensation could have a detrimental effect on the application.